

3.0V Core Async/Page PSRAM Memory

MT45V256KW16PEGA

Features

- Asynchronous and page mode interface
- Random access time: 55ns and 70ns
- VCC, VCCQ voltages
 - 2.7–3.6V VCC
 - 2.7–3.6V VCCQ
- Page mode read access
 - 16-word page size
 - Interpage read access: 55ns and 70ns
 - Intrapage read access: 15ns and 20ns
- Low power consumption
 - Asynchronous READ: <30mA
 - Intrapage READ: <18mA
 - Standby: <140µA
 - Deep power-down (DPD): <45µA (TYP at 25°C)
- Low-power features
 - Partial-array refresh (PAR)
 - DPD mode

Options

- Configuration
 - 256K x 16
- Package
 - 48-ball VFBGA (“green”)
- Access time
 - 55ns
 - 70ns
- Operating temperature range
 - Wireless (–30°C to +85°C)
 - Industrial (–40°C to +85°C)

Designator

MT45V256KW16PE

GA

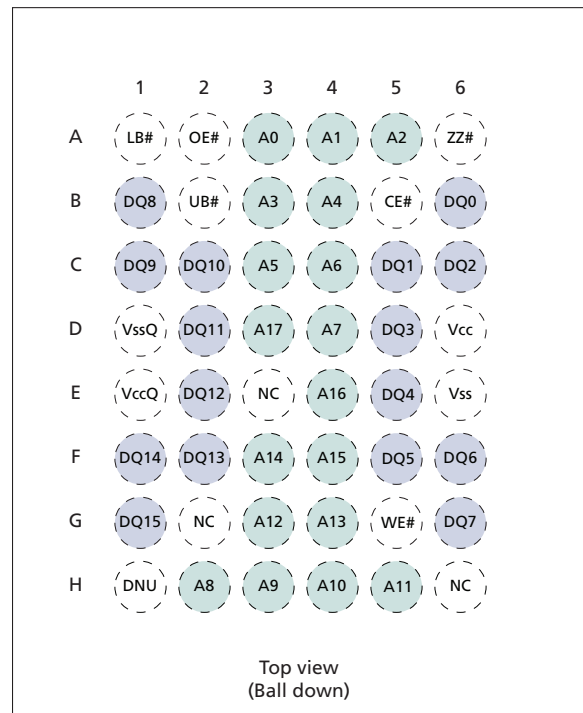
-55

-70

WT

IT

Figure 1: 48-Ball VFBGA Ball Assignments



Part Number Example:

MT45V256KW16PEGA-55WT



Table of Contents

Features	1
Options	1
Designator	1
Table of Contents	2
List of Figures	3
List of Tables	4
General Description	5
Functional Block Diagram	5
Ball Descriptions	6
Bus Operations	7
Part Numbering Information	8
Valid Part Number Combinations	8
Device Marking	8
Functional Description	9
Power-Up Initialization	9
Bus Operating Modes	9
Asynchronous Mode	9
Page Mode READ Operation	11
LB#/UB# Operation	11
Low-Power Operation	12
Standby Mode Operation	12
Partial-Array Refresh	12
Deep Power-Down Operation	13
Configuration Register Operation	14
Access Using ZZ#	14
Software Access to the Configuration Register	15
Electrical Characteristics	17
Maximum and Typical Standby Currents	18
Timing Diagrams	21
Package Dimensions	25
Revision History	26

List of Figures

Figure 1:	48-Ball VFBGA Ball Assignments	1
Figure 2:	Functional Block Diagram 256K x 16	5
Figure 3:	Part Number Chart	8
Figure 4:	Power-Up Initialization Timing	9
Figure 5:	READ Operation	10
Figure 6:	WRITE Operation	10
Figure 7:	Page Mode READ Operation (ADV = LOW)	11
Figure 8:	Software Access PAR Functionality	13
Figure 9:	Configuration Register Bit Mapping	14
Figure 10:	Load Configuration Register Operation Using ZZ#	14
Figure 11:	Load Configuration Register	15
Figure 12:	Read Configuration Register	16
Figure 13:	Typical Refresh Current vs. Temperature	18
Figure 14:	AC Input/Output Reference Waveform	19
Figure 15:	Output Load Circuit	19
Figure 16:	Power-Up Initialization Period	21
Figure 17:	Load Configuration Register	21
Figure 18:	Deep Power-Down Entry and Exit	21
Figure 19:	Single READ Operation (WE# = VIH)	22
Figure 20:	Page Mode READ Operation (WE# = VIH)	22
Figure 21:	WRITE Cycle (WE# Control)	23
Figure 22:	WRITE Cycle (CE# Control)	23
Figure 23:	WRITE Cycle (LB#/UB# Control)	24
Figure 24:	48-Ball VFBGA	25



List of Tables

Table 1:	VFPGA Ball Descriptions	6
Table 2:	Bus Operations	7
Table 3:	Absolute Maximum Ratings	17
Table 4:	Electrical Characteristics and Operating Conditions	17
Table 5:	Deep Power-Down Specifications and Conditions	18
Table 6:	Capacitance Specifications and Conditions	18
Table 7:	READ Cycle Timing Requirements	19
Table 8:	WRITE Cycle Timing Requirements	20
Table 9:	Load Configuration Register Timing Requirements	20
Table 10:	Deep Power-Down Timing Requirements	20
Table 11:	Initialization Timing Parameters	21

General Description

Micron® PSRAM products are high-speed, CMOS memory devices developed for low-power, portable applications. The MT45V256KW16PE is a 4Mb DRAM core device organized as 256K x 16 bits. These devices include the industry-standard, asynchronous memory interface found on other low-power SRAM or pseudo-SRAM (PSRAM) offerings.

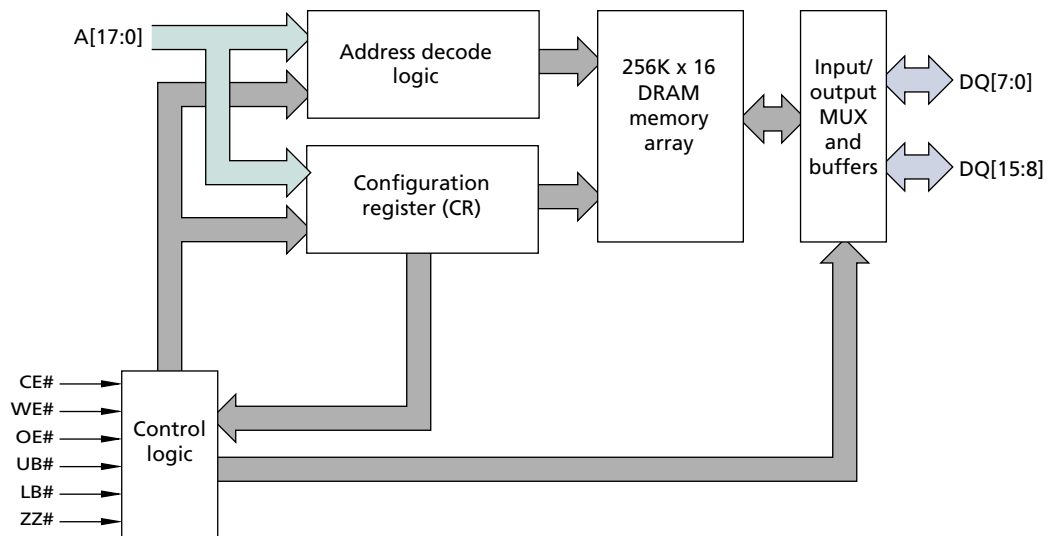
For seamless operation on an asynchronous memory bus, PSRAM products incorporate a transparent self refresh mechanism. The hidden refresh requires no additional support from the system memory controller and has no significant impact on device read/write performance.

A user-accessible configuration register (CR) defines how the PSRAM device performs on-chip refresh and whether page mode read accesses are permitted. This register is automatically loaded with a default setting during power-up and can be updated at any time during normal operation.

Special attention has been focused on current consumption during self refresh. This product includes two system-accessible mechanisms to minimize refresh current. Setting sleep enable (ZZ#) to LOW enables one of two low-power modes: partial-array refresh (PAR) or deep power-down (DPD). PAR limits refresh to only that part of the DRAM array that contains essential data. DPD halts refresh operation altogether and is used when no vital information is stored in the device. The system-configurable refresh mechanisms are accessed through the CR.

Functional Block Diagram

Figure 2: Functional Block Diagram 256K x 16



- Notes: 1. Functional block diagrams illustrate simplified device operation. See the ball description table, bus operations table, and timing diagrams for detailed information.

Ball Descriptions

Table 1: VFBGA Ball Descriptions

VFBGA Ball Assignment	Symbol	Type	Description
D3, E4, F4, F3, G4, G3, H5, H4, H3, H2, D4, C4, C3, B4, B3, A5, A4, A3	A[17:0]	Input	Address inputs: Inputs for the address accessed during READ or WRITE operations. The address lines are also used to define the value to be loaded into the CR.
B5	CE#	Input	Chip enable: Activates the device when LOW. When CE# is HIGH, the device is disabled and goes into standby power mode.
A1	LB#	Input	Lower byte enable: DQ[7:0].
A2	OE#	Input	Output enable: Enables the output buffers when LOW. When OE# is HIGH, the output buffers are disabled.
B2	UB#	Input	Upper byte enable: DQ[15:8].
G5	WE#	Input	Write enable: Enables WRITE operations when LOW.
A6	ZZ#	Input	Sleep enable: When ZZ# is LOW, the CR can be loaded, or the device can enter one of two low-power modes (DPD or PAR).
G1, F1, F2, E2, D2, C2, C1, B1, G6, F6, F5, E5, D5, C6, C5, B6	DQ[15:0]	Input/Output	Data inputs/outputs.
D6	Vcc	Supply	Device power supply (2.7–3.6V): Power supply for device core operation.
E1	VccQ	Supply	I/O power supply (2.7–3.6V): Power supply for input/output buffers.
E6	Vss	Supply	Vss must be connected to ground.
D1	VssQ	Supply	VssQ must be connected to ground.
E3, G2, H6	NC	–	No connect: Not internally connected.
H1	DNU	–	Do not use: DNU must be left unconnected or tied to ground.

Bus Operations

Table 2: Bus Operations

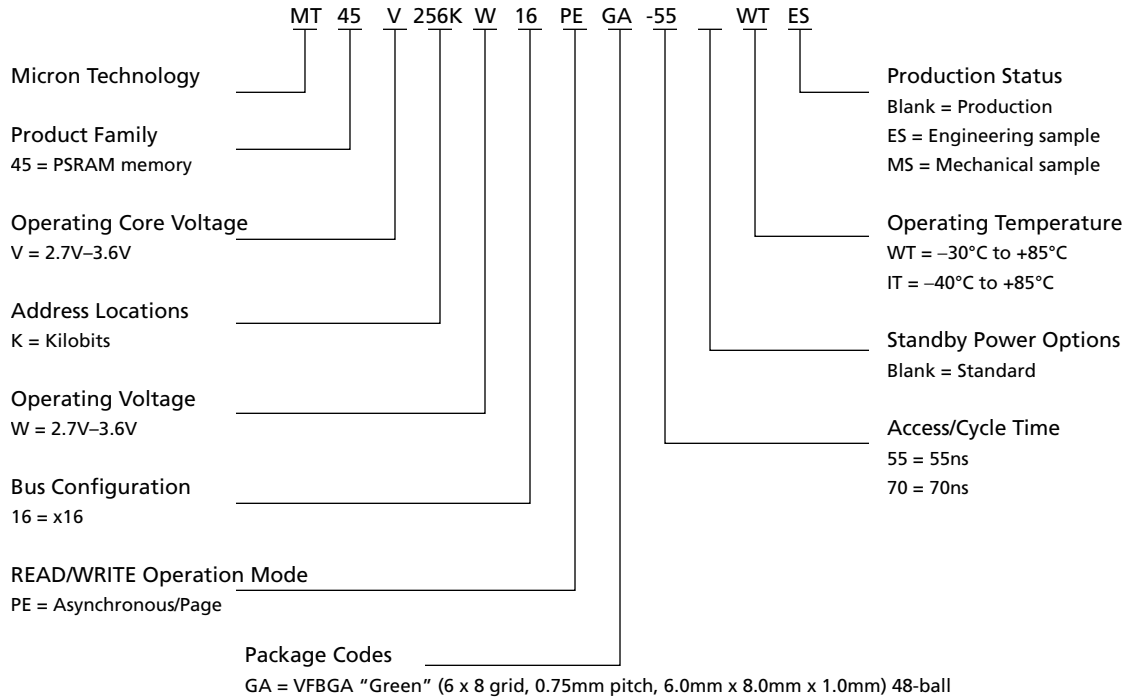
Mode	Power	CE#	WE#	OE#	LB#/UB#	ZZ#	DQ[15:0] ¹	Notes
Standby	Standby	H	X	X	X	H	High-Z	2, 5
Read	Active	L	H	L	L	H	Data-out	1, 4
Write	Active	L	L	X	L	H	Data-in	1, 3, 4
No operation	Idle	L	X	X	X	H	X	4, 5
PAR	Partial-array refresh	H	X	X	X	L	High-Z	6
DPD	Deep power-down	H	X	X	X	L	High-Z	6
Load configuration register	Active	L	L	X	X	L	High-Z	

- Notes:
1. When LB# and UB# are in select mode (LOW), DQ[15:0] are affected. When LB# alone is in select mode, only DQ[7:0] are affected. When UB# alone is in the select mode, only DQ[15:8] are affected.
 2. When the device is in standby mode, control inputs (WE#, OE#), address inputs, and data inputs/outputs are internally isolated from any external influence.
 3. When WE# is active, the OE# input is internally disabled and has no effect on the I/Os.
 4. The device will consume active power in this mode whenever addresses are changed.
 5. $V_{IN} = V_{CCQ}$ or 0V; all device balls must be static (unswitched) to achieve minimum standby current.
 6. DPD is enabled when configuration register bit CR[4] is "0"; otherwise, PAR is enabled.

Part Numbering Information

Micron PSRAM devices are available in several configurations and densities (see Figure 3).

Figure 3: Part Number Chart



Valid Part Number Combinations

After building the part number using the part numbering chart, visit the Micron Web site at www.micron.com/psram to verify that the part number is offered and valid. If the device required is not on this list, contact the factory.

Device Marking

Due to the size of the package, the Micron-standard part number is not printed on the top of the device. Instead, an abbreviated device mark consisting of a five-digit alphanumeric code is used. The abbreviated device marks are cross-referenced to the Micron part numbers at the FBGA Part Marking Decoder site: www.micron.com/decoder. To view the location of the abbreviated mark on the device, refer to customer service note CSN-11, "Product Mark/Label," at www.micron.com/csn.

Functional Description

In general, MT45V256KW16PE devices are high-density alternatives to SRAM and PSRAM products that are popular in low-power, portable applications.

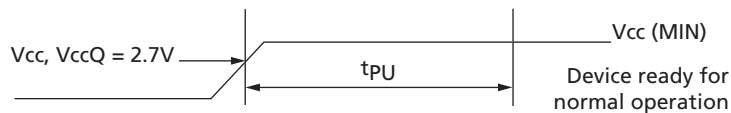
MT45V256KW16PE devices contain an 4,194,304-bit DRAM core organized as 262,144 addresses by 16 bits. These devices include the industry-standard, asynchronous memory interface found on other low-power SRAM or PSRAM offerings.

Page mode access is also supported as a bandwidth-enhancing extension to the asynchronous read protocol.

Power-Up Initialization

Micron PSRAM products include an on-chip voltage sensor that is used to launch the power-up initialization process. Initialization will load the CR with its default setting. VCC and VCCQ must be applied simultaneously, and when they reach a stable level above 1.7V, the device will require 150 μ s to complete its self-initialization process (see Figure 4). During the initialization period, CE# should remain HIGH. When initialization is complete, the device is ready for normal operation.

Figure 4: Power-Up Initialization Timing



Bus Operating Modes

The MT45V256KW16PE PSRAM product incorporates the industry-standard, asynchronous interface. This bus interface supports asynchronous READ and WRITE operations as well as page mode READ operation for enhanced bandwidth. The supported interface is defined by the value loaded into the CR.

Asynchronous Mode

Micron PSRAM products power up in the asynchronous operating mode. This mode uses the industry-standard SRAM control interface (CE#, OE#, WE#, and LB#/UB#). READ operations are initiated by bringing CE#, OE#, and LB#/UB# LOW while keeping WE# HIGH (see Figure 5 on page 10). Valid data will be driven out of the I/Os after the specified access time has elapsed. WRITE operations occur when CE#, WE#, and LB#/UB# are driven LOW (see Figure 6 on page 10). During WRITE operations, the level of OE# is a "Don't Care"; WE# overrides OE#. The data to be written is latched on the rising edge of CE#, WE#, or LB#/UB#, whichever occurs first. WE# LOW time must be limited to tCEM.

Figure 5: READ Operation

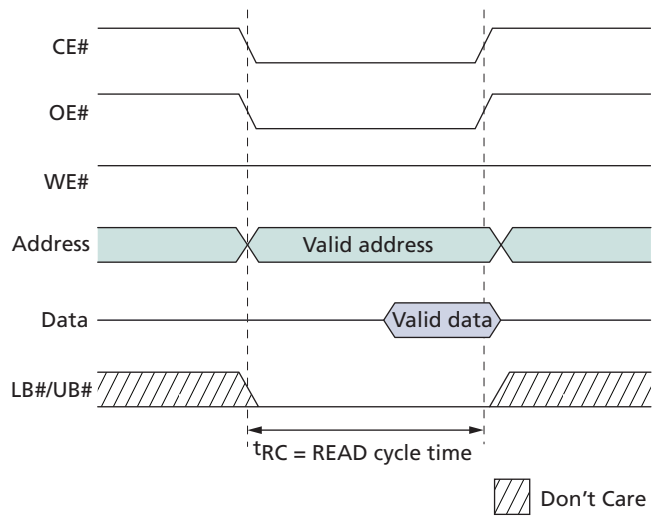
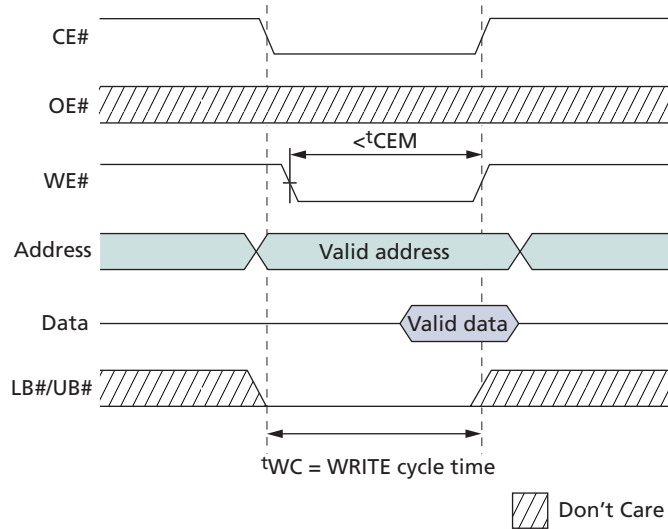


Figure 6: WRITE Operation



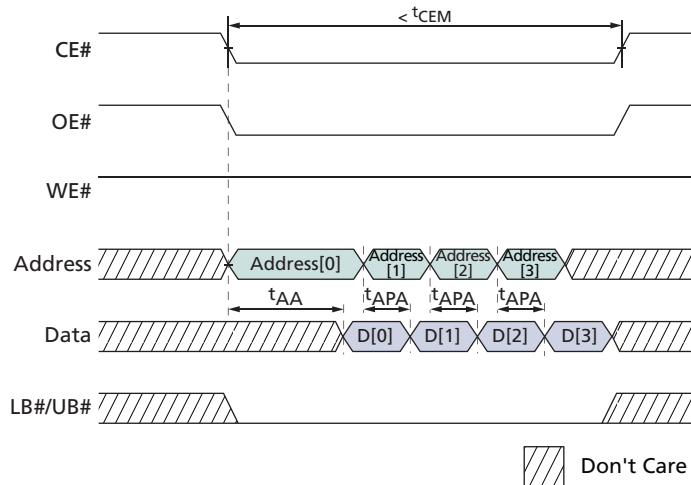
Page Mode READ Operation

Page mode is a performance-enhancing extension to the legacy asynchronous READ operation. In page-mode-capable products, an initial asynchronous read access is performed, then adjacent addresses can be read quickly by simply changing the low-order address. Addresses A[3:0] are used to determine the members of the 16-address PSRAM page. Any change in addresses A[4] or higher will initiate a new t_{AA} access (see Figure 7).

Page mode takes advantage of the fact that adjacent addresses can be read faster than random addresses. WRITE operations do not include comparable page mode functionality.

The CE# LOW time is limited by refresh considerations. CE# must not stay LOW longer than t_{CEM} .

Figure 7: Page Mode READ Operation (ADV = LOW)



LB#/UB# Operation

The lower byte (LB#) and upper byte (UB#) enable signals accommodate byte-wide data transfers. During READ operations, enabled bytes are driven onto the DQ. The DQ signals associated with a disabled byte are put into a High-Z state during a READ operation. During WRITE operations, disabled bytes are not transferred to the memory array, and the internal value remains unchanged. During a WRITE cycle, the data to be written is latched on the rising edge of CE#, WE#, LB#, or UB#, whichever occurs first.

When both the LB# and UB# are disabled (HIGH) during an operation, the device prevents the data bus from receiving or transmitting data. Although the device may appear to be deselected, it remains in active mode as long as CE# remains LOW.

Low-Power Operation

Standby Mode Operation

During standby, the device current consumption is reduced to the level necessary to perform the DRAM REFRESH operation on the full array. Standby operation occurs when CE# and ZZ# are HIGH.

The device enters a reduced-power state upon completion of READ and WRITE operations when the address and control inputs remain static for an extended period of time. This mode continues until a change occurs to the address or control inputs.

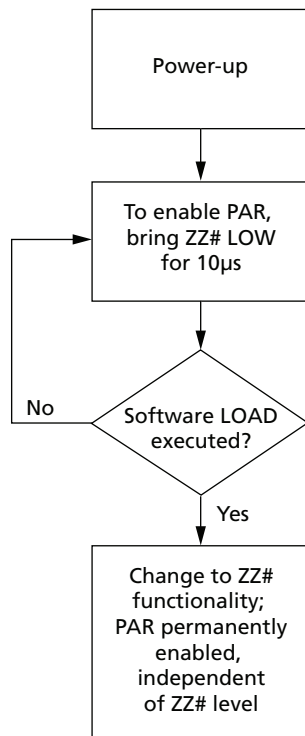
Partial-Array Refresh

Partial-array refresh (PAR) restricts REFRESH operation to a portion of the total memory array. This feature enables the system to reduce refresh current by only refreshing that part of the memory array that is absolutely necessary. The refresh options are “full array” and “none of the array.” Data stored in addresses not receiving refresh will become corrupted. READ and WRITE operations are ignored during PAR operation.

The device only enters PAR mode if the sleep bit in the CR has been set HIGH (CR[4] = 1). PAR can be initiated by taking the ZZ# ball to the LOW state for longer than 10 μ s. Returning ZZ# to HIGH will cause an exit from PAR, and the entire array will be immediately available for READ and WRITE operations.

Alternatively, PAR can be initiated using the CR software-access sequence (see “Software Access to the Configuration Register” on page 15). Using this method, PAR is enabled immediately upon setting CR[4] to “1.” However, using software access to write to the CR alters the function of ZZ# so that ZZ# LOW no longer initiates PAR, even though ZZ# continues to enable WRITES to the CR. This functional change persists until the next time the device is powered up (see Figure 8 on page 13).

Figure 8: Software Access PAR Functionality



Deep Power-Down Operation

Deep power-down (DPD) operation disables all refresh-related activity. This mode is used when the system does not require the storage provided by the PSRAM device. Any stored data will become corrupted upon entering DPD. When refresh activity has been re-enabled, the PSRAM device will require 150µs to perform an initialization procedure before normal operations can resume. READ and WRITE operations are ignored during DPD operation.

The device can only enter DPD if the sleep bit in the CR has been set LOW (CR[4] = 0). DPD is initiated by bringing ZZ# to the LOW state for longer than 10µs. Returning ZZ# to HIGH will cause the device to exit DPD and begin a 150µs initialization process. During this time, the current consumption will be higher than the specified standby levels, but considerably lower than the active current specification.

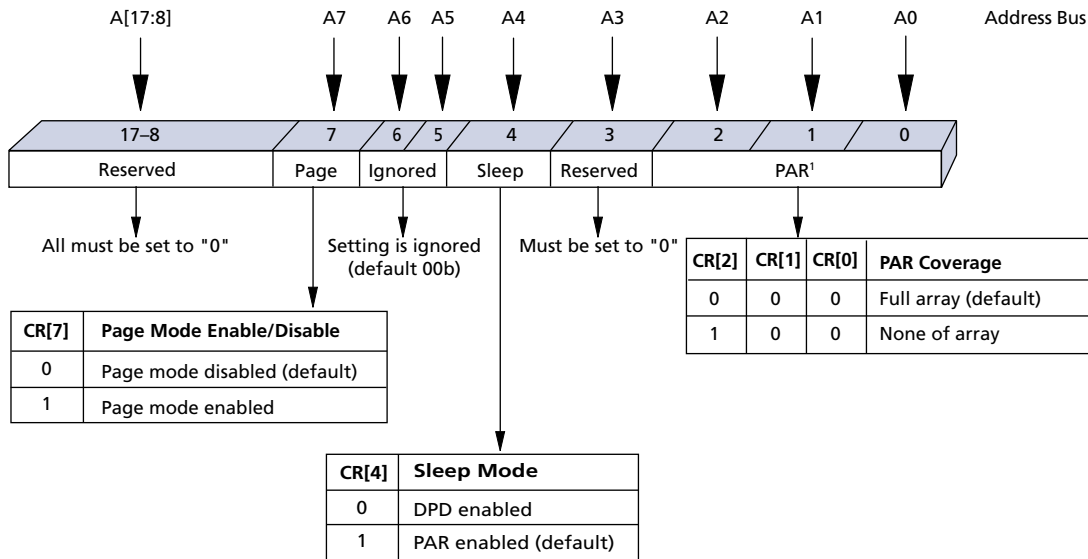
Driving ZZ# LOW puts the device in PAR mode if the SLEEP bit in the CR has been set HIGH (CR[4] = 1).

The device should not be put into DPD using the CR software-access sequence.

Configuration Register Operation

The configuration register (CR) defines how the PSRAM device performs a transparent self refresh. Altering the refresh parameters can dramatically reduce current consumption during standby mode. Page mode control is embedded in the CR. This register can be updated any time the device is operating in a standby state. The control bits used in the CR are shown in Figure 9. At power-up, the CR is set to 0010h.

Figure 9: Configuration Register Bit Mapping

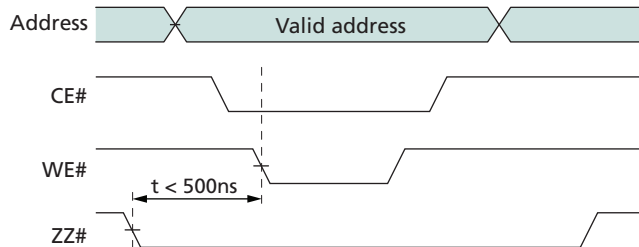


Notes: 1. Use of other settings will result in full-array refresh coverage.

Access Using ZZ#

The CR can be loaded using a WRITE operation immediately after ZZ# makes a HIGH-to-LOW transition (see Figure 10). The values placed on addresses A[17:0] are latched into the CR on the rising edge of CE# or WE#, whichever occurs first. LB#/UB# are "Don't Care." Access using ZZ# is WRITE only.

Figure 10: Load Configuration Register Operation Using ZZ#



Software Access to the Configuration Register

The contents of the CR can be read or modified using a software access sequence. The nature of this access mechanism can potentially eliminate the need for the ZZ# ball.

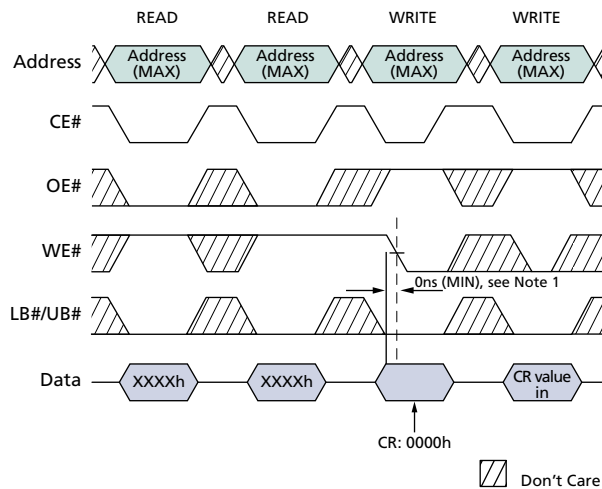
If the software-access mechanism is used, ZZ# can simply be tied to VCCQ; the port line typically used for ZZ# control purposes will no longer be required. However, ZZ# should not be tied to VCCQ if the system will use DPD; DPD cannot be enabled or disabled using the software-access sequence.

The CR is loaded using a four-step sequence consisting of two READ operations followed by two WRITE operations (see Figure 11). The READ sequence is virtually identical except that an asynchronous READ is performed during the fourth operation (see Figure 12 on page 16).

The address used during all READ and WRITE operations is the highest address of the PSRAM device being accessed (3FFFFh for 4Mb devices); the content of this address is not changed by using the software-access sequence. The data bus is used to transfer data into or out of bits[15:0] of the CR.

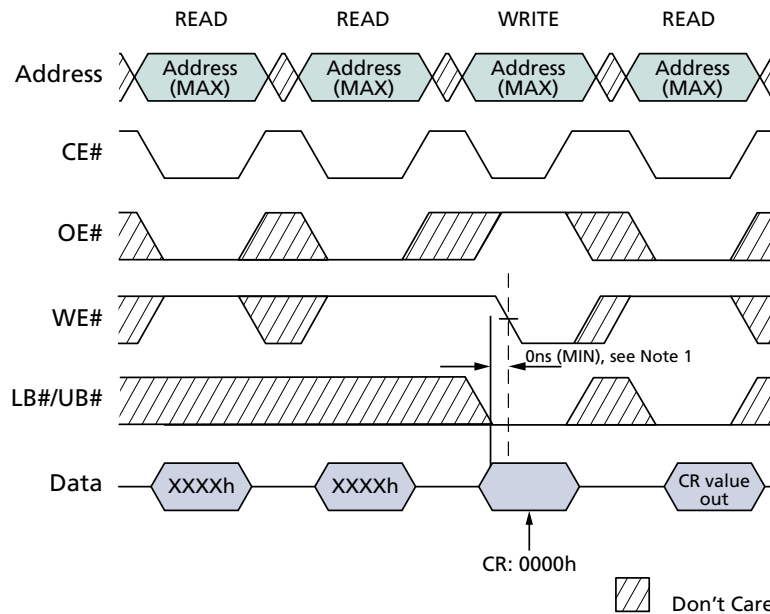
Writing to the CR using the software-access sequence modifies the function of the ZZ# ball. After the software sequence loads the CR, the level of the ZZ# ball no longer enables PAR operation. PAR operation is updated whenever the software-access sequence loads a new value into the CR. This ZZ# functionality will remain active until the next time the device is powered up. The operation of the ZZ# ball is not affected if the software-access sequence is only used to read the contents of the CR. Use of the software-access sequence does not affect the performance of standard (ZZ#-controlled) CR loading.

Figure 11: Load Configuration Register



- Notes: 1. It is possible that the data stored at the highest memory location will be altered if the data at the falling edge of WE# is not 0000h.

Figure 12: Read Configuration Register



Notes: 1. It is possible that the data stored at the highest memory location will be altered if the data at the falling edge of WE# is not 0000h.

Partial-Array Refresh (CR[2:0]) Default = Full-Array Refresh

The PAR bits restrict REFRESH operation to a portion of the total memory array. The refresh options are “full array” and “none of the array.”

Sleep Mode (CR[4]) Default = PAR Enabled, DPD Disabled

The sleep mode bit defines the low-power mode to be entered when ZZ# is driven LOW. If CR[4] = 1, PAR operation is enabled. If CR[4] = 0, DPD operation is enabled. PAR can also be enabled directly by writing to the CR using the software-access sequence. Note that this disables ZZ# initiation of PAR. DPD cannot properly be enabled or disabled using the software-access sequence; DPD should only be enabled or disabled using ZZ# to access the CR.

DPD operation disables all refresh-related activity. This mode is used when the system does not require the storage provided by the PSRAM device. When DPD is enabled, any stored data will become corrupted. When refresh activity has been re-enabled, the PSRAM device will require 150µs to perform an initialization procedure before normal operation can resume. DPD should not be enabled using CR software access.

Page Mode READ Operation (CR[7]) Default = Disabled

The page mode operation bit determines whether page mode READ operations are enabled. In the power-up default state, page mode is disabled.

Electrical Characteristics

Stresses greater than those listed in Table 3 may cause permanent damage to the device. This is a stress rating only, and functional operation of the device at these or any other conditions above those indicated in the operational sections of this specification is not implied. Exposure to absolute maximum rating conditions for extended periods may affect reliability.

Table 3: Absolute Maximum Ratings

Parameter	Rating
Voltage to any ball except Vcc; VccQ relative to Vss	-0.5V to 4.0V or VccQ + 0.3V (whichever is less)
Voltage on Vcc supply relative to Vss	-0.2V to +4.0V
Voltage on VccQ supply relative to Vss	-0.2V to +4.0V
Storage temperature	-55°C to +150°C
Operating temperature (case)	
Wireless	-30°C to +85°C
Industrial	-40°C to +85°C
Soldering temperature and time 10 seconds (solder ball only)	260°C

Table 4: Electrical Characteristics and Operating Conditions

Wireless temperature (-30°C ≤ T_C ≤ +85 °C); Industrial temperature (-40°C < T_C < +85°C)

Description	Conditions	Symbol	Min	Max	Unit	Notes	
Supply voltage		Vcc	2.7	3.6	V		
I/O supply voltage		VccQ	2.7	3.6	V		
Input high voltage		V _{IH}	VccQ - 0.4	VccQ + 0.2	V	1	
Input low voltage		V _{IL}	-0.2	+0.4	V	2	
Output high voltage	I _{OH} = -0.2mA	V _{OH}	0.8 VccQ	-	V		
Output low voltage	I _{OL} = 0.2mA	V _{OL}	-	0.2 VccQ	V		
Input leakage current	V _{IN} = 0 to VccQ	I _{LI}	-	1	μA		
Output leakage current	OE# = V _{IH} or Chip disabled	I _{LO}	-	1	μA		
Operating Current							
Asynchronous random READ/WRITE	V _{IN} = VccQ or 0V Chip enabled; I _{OUT} = 0	I _{CC1}	-55, -70	-	30	mA	3
Asynchronous page READ		I _{CC1P}	-55, -70	-	18	mA	3
Standby current	V _{IN} = VccQ or 0V CE# = VccQ	I _{SB}		-	140	μA	4

- Notes:
1. Input signals may overshoot to VccQ + 1.0V for periods less than 2ns during transitions.
 2. Input signals may undershoot to Vss - 1.0V for periods less than 2ns during transitions.
 3. This parameter is specified with the outputs disabled to avoid external loading effects. The user must add the current required to drive output capacitance expected in the actual system.
 4. I_{SB} (MAX) values measured with PAR set to FULL ARRAY. To achieve low standby current, all inputs must be driven to VccQ or Vss. I_{SB} may be slightly higher for up to 500ms after power-up or when entering standby mode.

Maximum and Typical Standby Currents

Maximum and typical standby currents for the MT45V256KW16PE device are shown in Figure 13.

Figure 13: Typical Refresh Current vs. Temperature

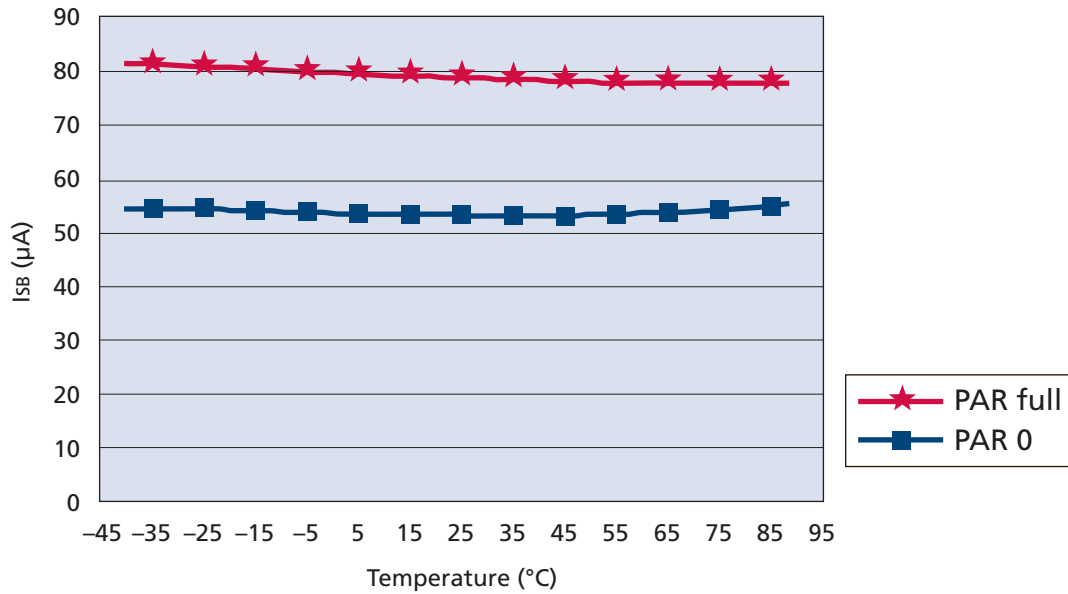


Table 5: Deep Power-Down Specifications and Conditions

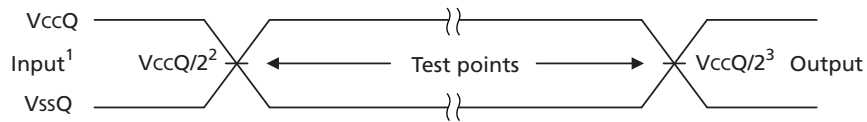
Description	Conditions	Symbol	Typ	Units
Deep power-down	$V_{IN} = V_{CCQ}$ or 0V; +25°C ZZ# = 0V CR[4] = 0	I _{ZZ}	45	µA

Table 6: Capacitance Specifications and Conditions

Description	Conditions	Symbol	Min	Max	Unit	Notes
Input capacitance	$T_C = +25^\circ\text{C}$; $f = 1\text{ MHz}$; $V_{IN} = 0\text{ V}$	C _{IN}	2.0	6.5	pF	1
Input/output capacitance (DQ)		C _{IO}	3.0	6.5	pF	1

Notes: 1. These parameters are verified in device characterization and are not 100% tested.

Figure 14: AC Input/Output Reference Waveform



- Notes:
1. AC test inputs are driven at V_{CCQ} for a logic 1 and V_{SSQ} for a logic 0. Input rise and fall times (10% to 90%) < 1.6ns.
 2. Input timing begins at $V_{CCQ}/2$.
 3. Output timing ends at $V_{CCQ}/2$.

Figure 15: Output Load Circuit

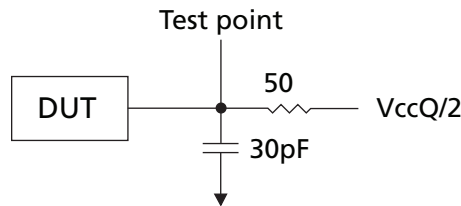


Table 7: READ Cycle Timing Requirements

Parameter	Symbol	-55		-70		Unit	Notes
		Min	Max	Min	Max		
Address access time	t_{AA}	–	55	–	70	ns	
Page access time	t_{APA}	–	15	–	20	ns	
LB#/UB# access time	t_{BA}	–	55	–	70	ns	
LB#/UB# disable to High-Z output	t_{BHZ}	–	8	–	8	ns	1
LB#/UB# enable to Low-Z output	t_{BLZ}	10	–	10	–	ns	2
Maximum CE# pulse width	t_{CEM}	–	8	–	8	μs	3
Chip select access time	t_{CO}	–	55	–	70	ns	
Chip disable to High-Z output	t_{HZ}	–	8	–	8	ns	1
Chip enable to Low-Z output	t_{LZ}	10	–	10	–	ns	2
Output enable to valid output	t_{OE}	–	20	–	20	ns	
Output hold from address change	t_{OH}	5	–	5	–	ns	
Output disable to High-Z output	t_{OHZ}	–	8	–	8	ns	1
Output enable to Low-Z output	t_{OLZ}	3	–	3	–	ns	2
Page cycle time	t_{PC}	20	–	20	–	ns	
Read cycle time	t_{RC}	55	–	70	–	ns	

- Notes:
1. Low-Z to High-Z timings are tested with the circuit shown in Figure 15 on page 19. The High-Z timings measure a 100mV transition either from V_{OH} or V_{OL} toward $V_{CCQ}/2$.
 2. High-Z to Low-Z timings are tested with the circuit shown in Figure 15 on page 19. The Low-Z timings measure a 100mV transition away from the High-Z ($V_{CCQ}/2$) level either toward V_{OH} or V_{OL} .
 3. Page mode enabled only.

Table 8: WRITE Cycle Timing Requirements

Parameter	Symbol	-55		-70		Unit	Notes
		Min	Max	Min	Max		
Address setup time	t_{AS}	0	–	0	–	ns	
Address valid to end of write	t_{AW}	45	–	70	–	ns	
Byte select to end of write	t_{BW}	45	–	70	–	ns	
CE# HIGH time during write	t_{CPH}	5	–	5	–	ns	
Chip enable to end of write	t_{CW}	45	–	70	–	ns	
Data hold from write time	t_{DH}	0	–	0	–	ns	
Data write setup time	t_{DW}	23	–	23	–	ns	
Chip enable to Low-Z output	t_{LZ}	10	–	10	–	ns	1
End write to Low-Z output	t_{OW}	5	–	5	–	ns	1
WRITE cycle time	t_{WC}	55	–	70	–	ns	
Write to High-Z output	t_{WHZ}	–	8	–	8	ns	2
Write pulse width	t_{WP}	35	–	46	–	ns	3
Write pulse width HIGH	t_{WPH}	10	–	10	–	ns	
Write recovery time	t_{WR}	0	–	0	–	ns	

- Notes:
1. High-Z to Low-Z timings are tested with the circuit shown in Figure 15 on page 19. The Low-Z timings measure a 100mV transition away from the High-Z ($V_{CCQ/2}$) level either toward V_{OH} or V_{OL} .
 2. Low-Z to High-Z timings are tested with the circuit shown in Figure 15 on page 19. The High-Z timings measure a 100mV transition either from V_{OH} or V_{OL} toward $V_{CCQ/2}$.
 3. $WE\#$ LOW time must be limited to t_{CEM} (8 μ s).

Table 9: Load Configuration Register Timing Requirements

Description	Symbol	-55		-70		Unit
		Min	Max	Min	Max	
Address setup time	t_{AS}	0	–	0	–	ns
Address valid to end of write	t_{AW}	45	–	70	–	ns
Chip deselect to ZZ# LOW	t_{CDZZ}	5	–	5	–	ns
Chip enable to end of write	t_{CW}	45	–	70	–	ns
Write cycle time	t_{WC}	55	–	70	–	ns
Write pulse width	t_{WP}	35	–	46	–	ns
Write recovery time	t_{WR}	0	–	0	–	ns
ZZ# LOW to WE# LOW	t_{ZZWE}	10	500	10	500	ns

Table 10: Deep Power-Down Timing Requirements

Description	Symbol	-55		-70		Unit
		Min	Max	Min	Max	
Chip deselect to ZZ# LOW	t_{CDZZ}	5	–	5	–	ns
Deep power-down recovery	t_R	150	–	150	–	μ s
Minimum ZZ# pulse width	$t_{ZZ}(\text{MIN})$	10	–	10	–	μ s

Timing Diagrams

Table 11: Initialization Timing Parameters

Parameter	Symbol	Min	Max	Unit
Initialization period (required before normal operations)	t_{PU}	–	150	μs

Figure 16: Power-Up Initialization Period

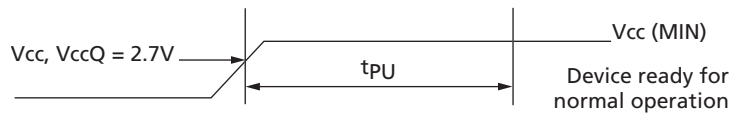


Figure 17: Load Configuration Register

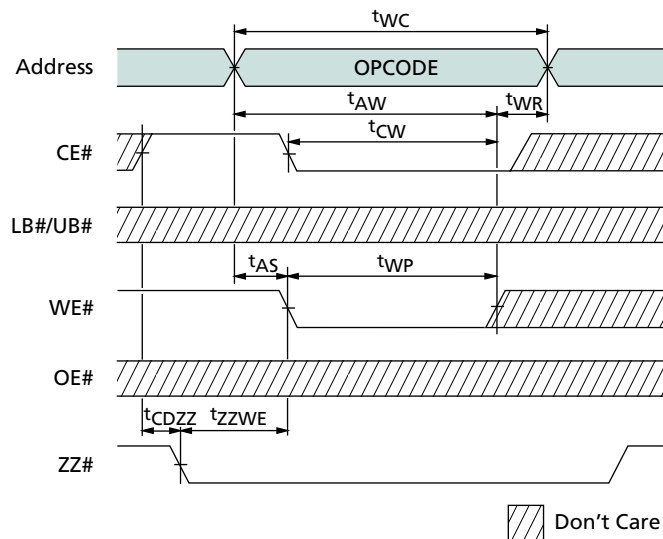


Figure 18: Deep Power-Down Entry and Exit

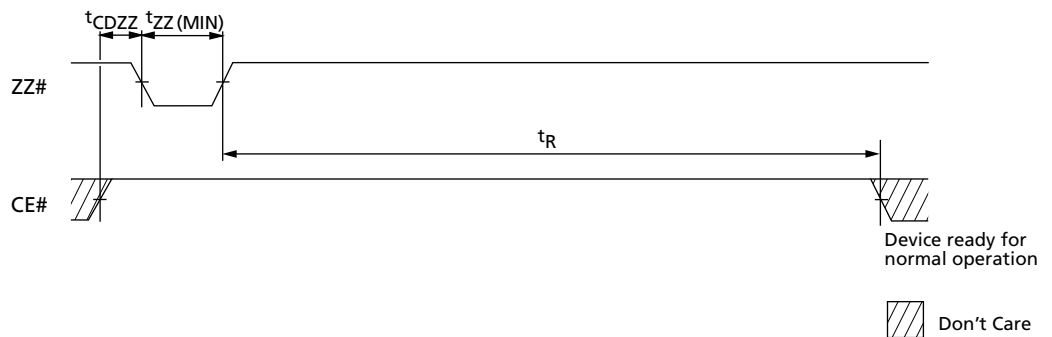


Figure 19: Single READ Operation (WE# = VIH)

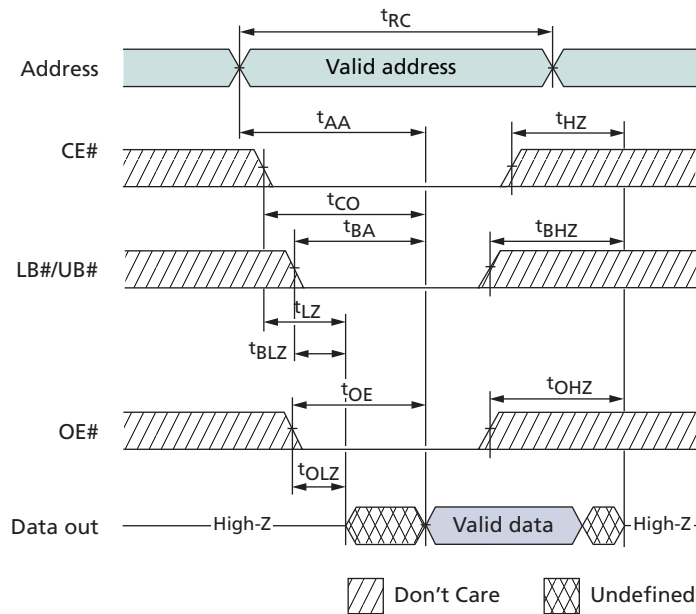


Figure 20: Page Mode READ Operation (WE# = VIH)

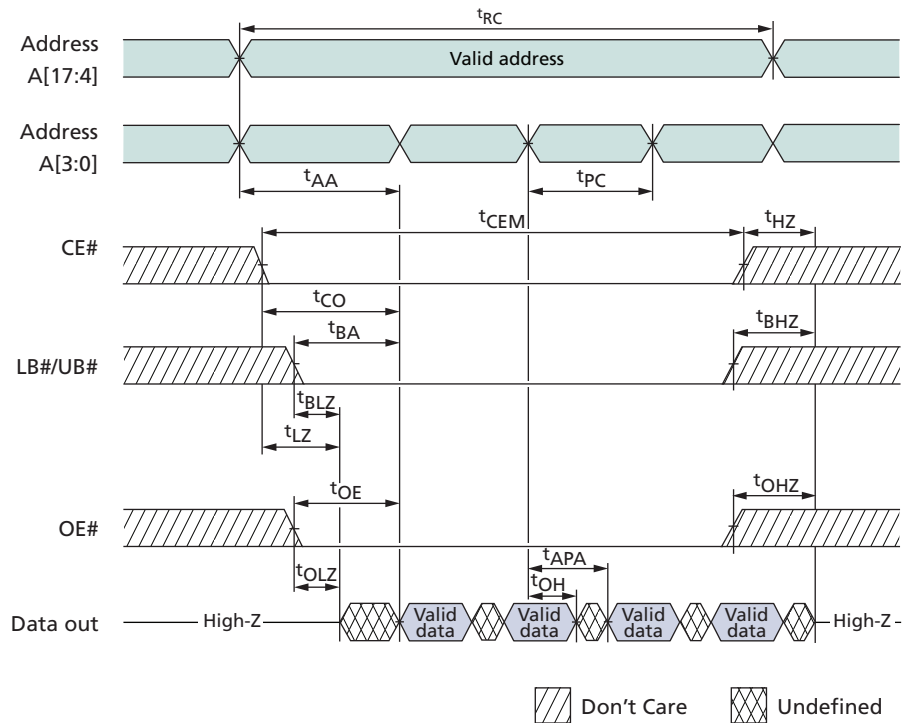


Figure 21: WRITE Cycle (WE# Control)

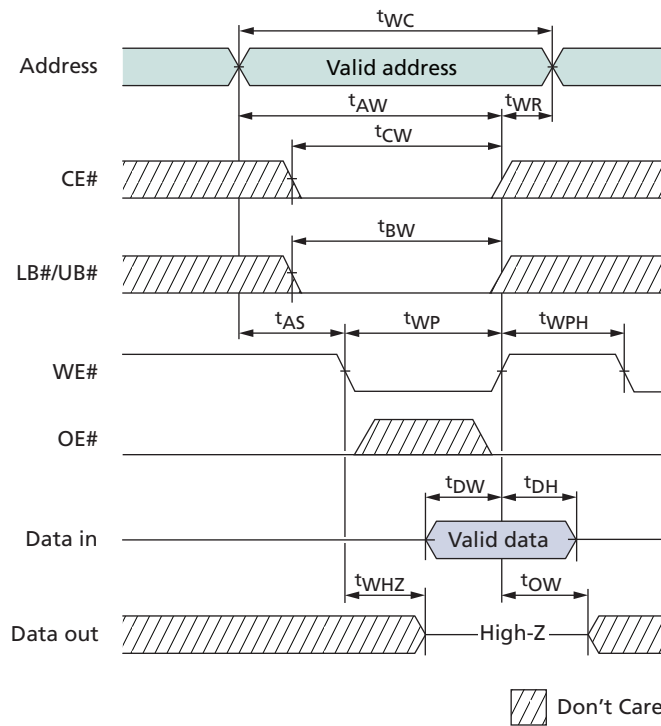


Figure 22: WRITE Cycle (CE# Control)

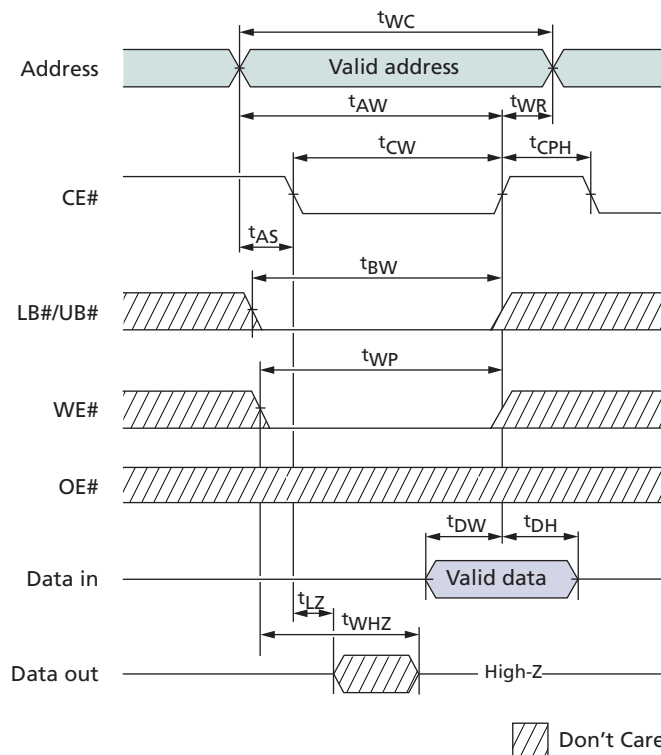
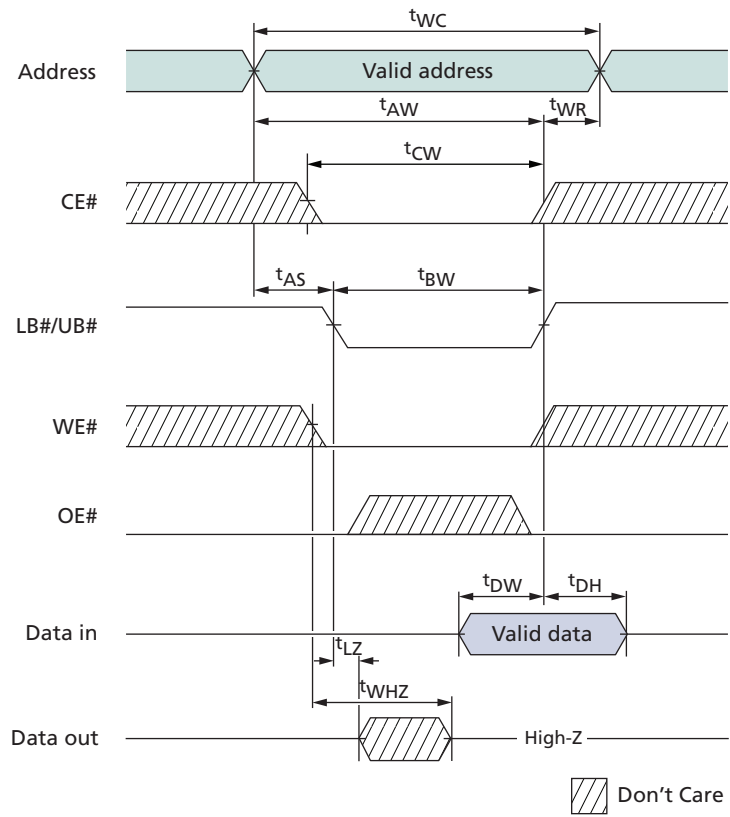
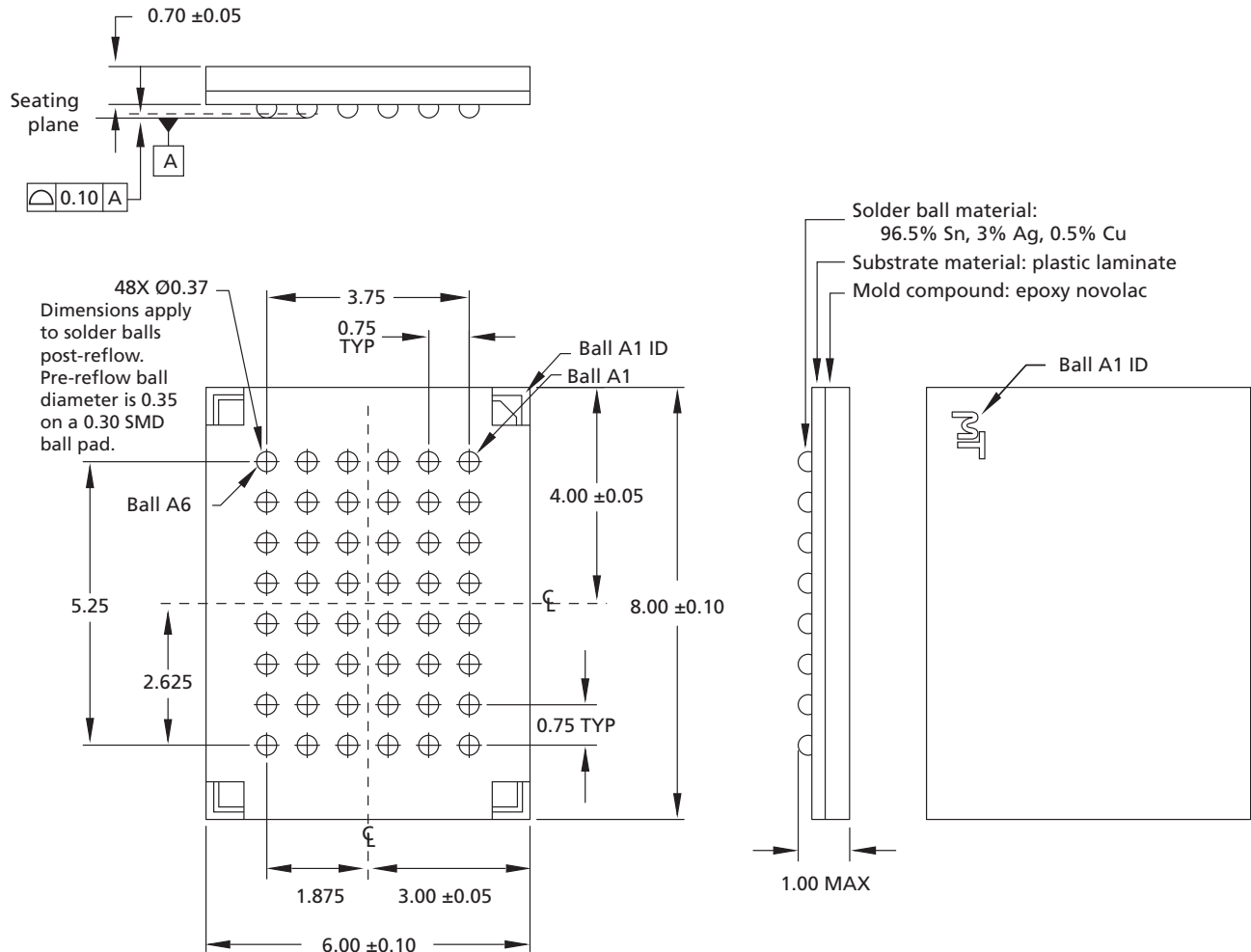


Figure 23: WRITE Cycle (LB#/UB# Control)



Package Dimensions

Figure 24: 48-Ball VFBGA



- Notes:
1. All dimensions are in millimeters.
 2. Package width and length do not include mold protrusion; allowable mold protrusion is 0.25mm per side.
 3. The MT45V256KW16PE uses "green" packaging.



8000 S. Federal Way, P.O. Box 6, Boise, ID 83707-0006, Tel: 208-368-3900
 prodmktg@micron.com www.micron.com Customer Comment Line: 800-932-4992

Micron, the M logo, and the Micron logo are trademarks of Micron Technology, Inc. CellularRAM is a trademark of Micron Technology, Inc., inside the U.S. and a trademark of Qimonda AG outside the U.S. All other trademarks are the property of their respective owners. This data sheet contains minimum and maximum limits specified over the complete power supply and temperature range for production devices. Although considered final, these specifications are subject to change, as further product development and data characterization sometimes occur.



Revision History

Rev. B, Production	4/08
<ul style="list-style-type: none">• Changed to production status.	
Rev. A, Preliminary	2/08
<ul style="list-style-type: none">• Initial release.	